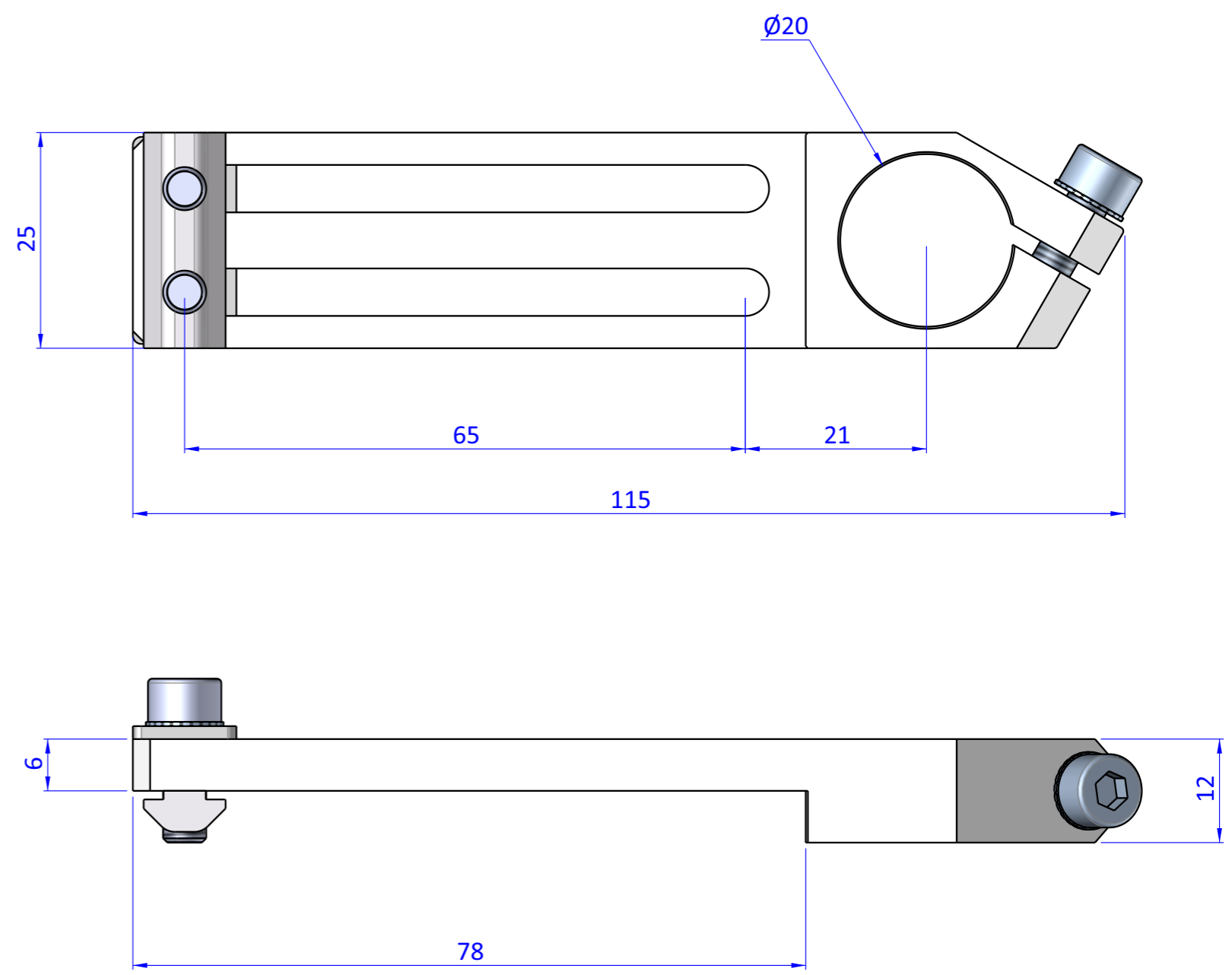
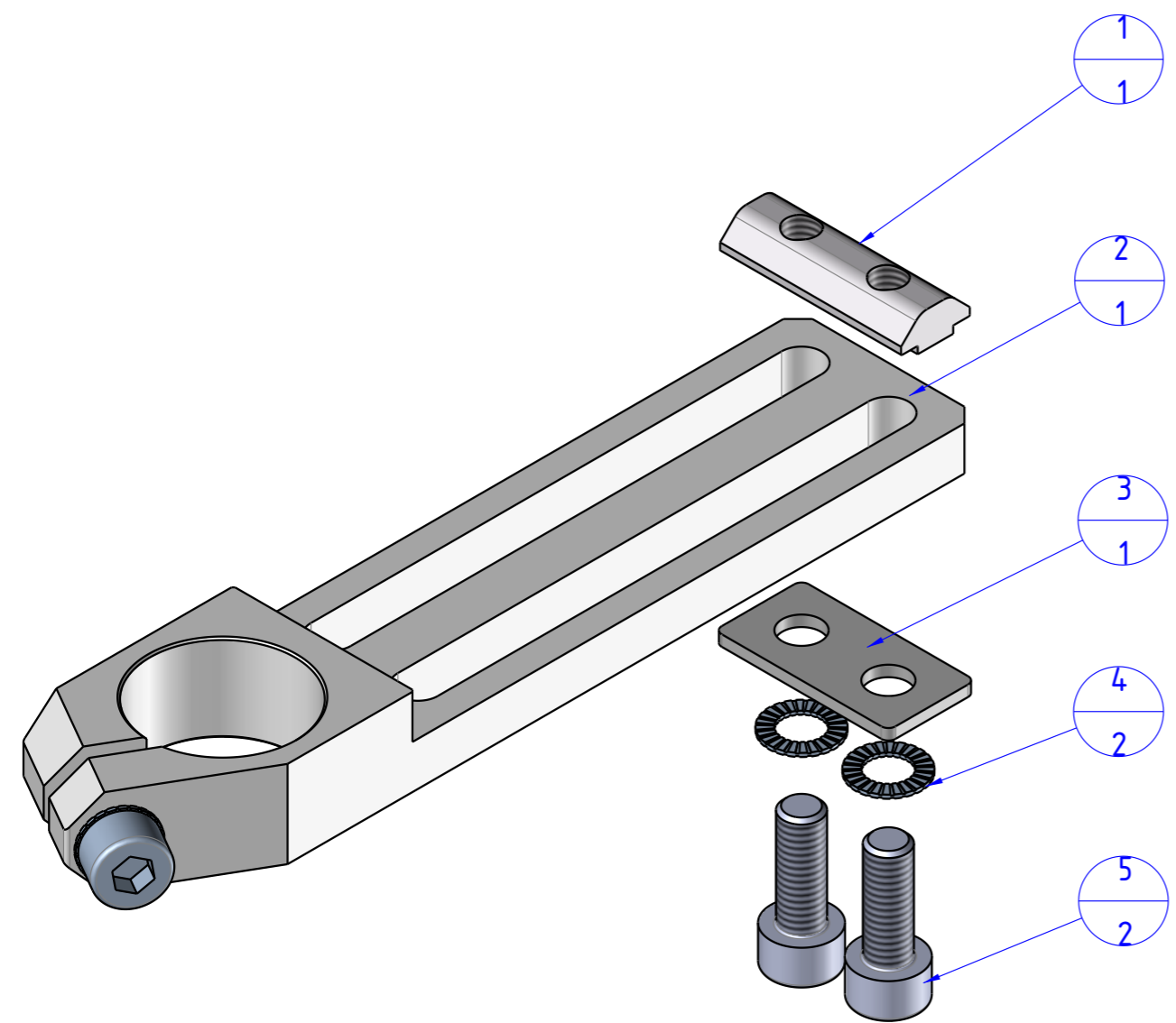



THE PROPERTY OF THE DRAWING IS ESTABLISHED BY LAW. IT IS FORBIDDEN TO PRODUCE OR SHOW IT TO THIRD PART. WITHOUT A WRITTEN AGREEMENT.

Item	Name	Q.ty
1	CA.GWP.5.12.F	1
2	CA.WSL.2060.U	1
3	R.05.12	1
4	R.5.SCH	2
5	V.TCE5x14	2



Format A3
UNI 936-76

 FPS FPSERVICES AUTOMATION		DESIGNED FROM		REVIEW
		FPS Automation		A
GENERAL TOLERANCE		DATE		WEIGHT
UNI - ISO 2768		18/11/2022		0,048kg
CLASSE f		CODE		
		CA.WSL.2060.U.5		CA.WSL.2060.U.5